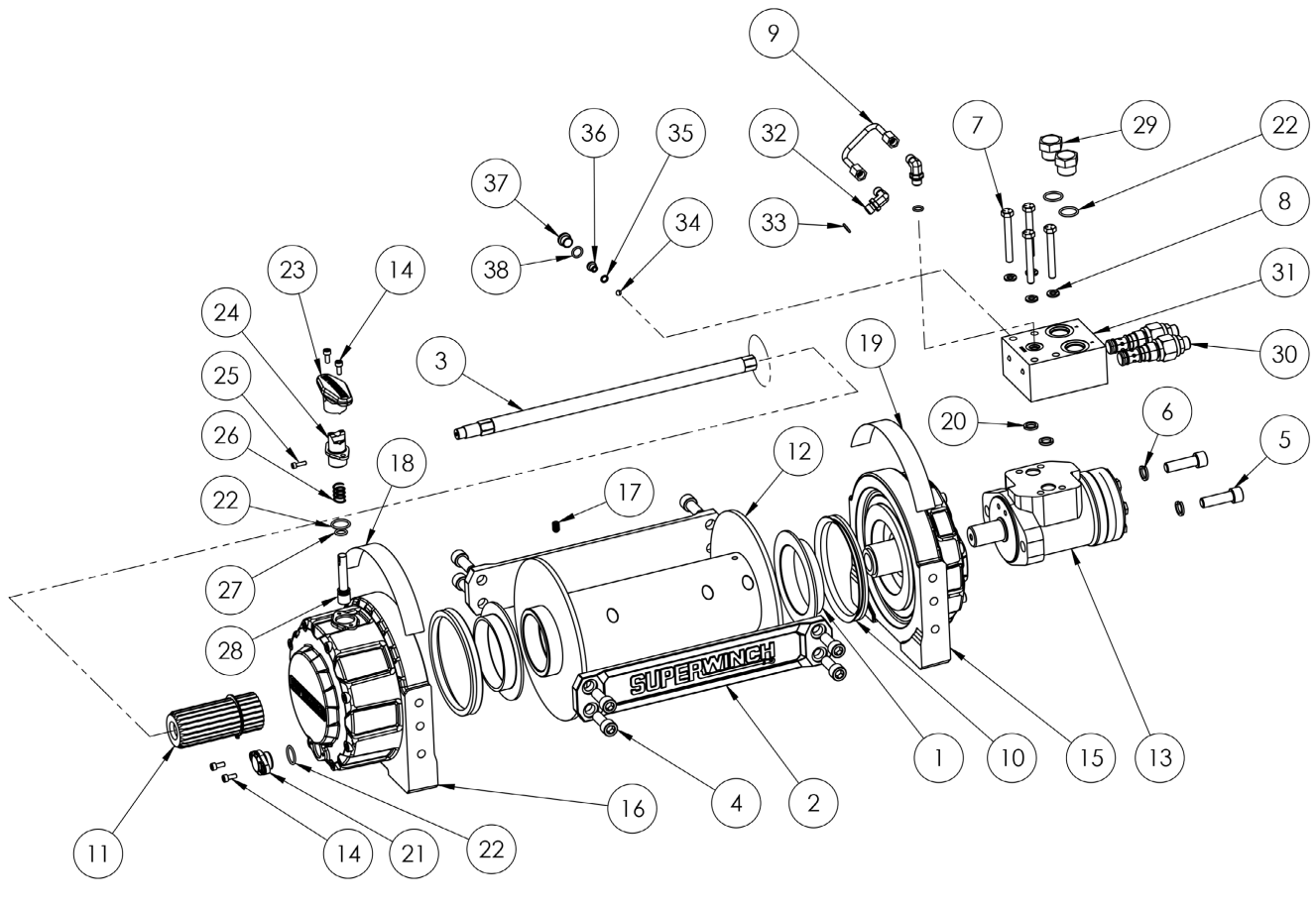


ITEM NO.	PART NUMBER	DESCRIPTION	QTY.
1	S100317 (P#s S100428, S100429, S100430, S100431, S100432) 53-40953 (P# S100491)	BEARING DRUM	2
2	S101784 (P#s S100428, S100429, S100430, S100491) S100530 (P#s S100431, S100432)	CASTING-CROSS BAR-STD WIDTH (S101784) CROSS BAR CASTING NARROW (S100530)	2
3	S102840 (P#s S100428, S100429, S100430) S102556 (P#s S100431, S100432) S103906 (P# S100491)	DRIVESHAFT	1
4	S100882	SHCS, M12 X 1.75 X 30MM LG	8
5	S101762	SHCS, M12 X 1.75 X 40MM LG	2
6	S100883	LOCK WASHER, M12	2
7	S100916	HHCS, 5/16"-18 X 2.5" LG	4
8	S100917	SPLIT LOCK WASHER, 8MM	4
9	S101103	TUBE ASSY, -4 SAE	1
10	S100727	V RING SEAL	2
11	S101794	DRIVE SPLINE ASSY	1
12	S101786 (P# S100428) S102245 (P#s S100429, S100430) S100900 (P# S100431) S102241 (P# S100432) S103938 (P# S100491)	DRUM	1
13	94-32193-02 (P#s S100428, S100431) 94-32192-04 (P#s S100429, S100432) S104009 (P#s S100430, S100491)	MOTOR HYDRAULIC - 80CC (94-32193-02) MOTOR HYDRAULIC - 125CC (94-32192-04) MOTOR HYDRAULIC - 160CC (S104009)	1
14	S100605	SHCS, M5 X 0.8 X 12MM LG	4
15	S101472	HYD BRAKE ASSY DRUM SUPPORT - SM IND EN	1
16	S100497	GEARBOX, DRUM SUPPORT ASSEMBLY	1
17	S103214	M8X1.25 ALLOY STEEL CUP POINT SET SCREW	1
18	S101620 (P#s S100428, S100429, S100430, S100431, S100432) S104020 (P# S100491)	LABEL - WARNING AND CLUTCH	1
19	S102272 (P# S100428) S102275 (P# S100429) S104767 (P# S100430) S102271 (P# S100431) S102274 (P# S100432) S104020 (P# S100491)	LABEL	1
20	S101827-1	Motor Seal, 17mm O.D.	2
21	S100635	CLUTCH CAP	1
22	S100634	O-RING, CLUTCH CAP / CLUTCH / PLUG	4
23	S100845	CLUTCH T HANDLE	1
24	S100844	OUTER CLUTCH HOUSING	1
25	S100929	CAP HEAD SCREW, M4-0.7 X 14MM	1
26	S100928	COMPRESSION SPRING	1
27	S100918	O-RING, CLUTCH PIN	1
28	S100843	CLUTCH PIN	1
29	S100908	PLUG, HEX SAE 10	2
30	S100084	COUNTERBALANCE VALVE	2
31	S100885	BLOCK, MANIFOLD	1
32	S100904	ELBOW 90 DEGREE	2
33	S100904-1	O-RING, ELBOW 90 DEGREE	2
34	S100083	CHECK BALL, 6MM DIAMETER	1
35	S100906-2	O-RING, PLUG SAE 2	1
36	S100884	PLUG, SAE 2	1
37	S100905	PLUG, SAE 5	1
38	S100906-1	O-RING, PLUG SAE 5	1

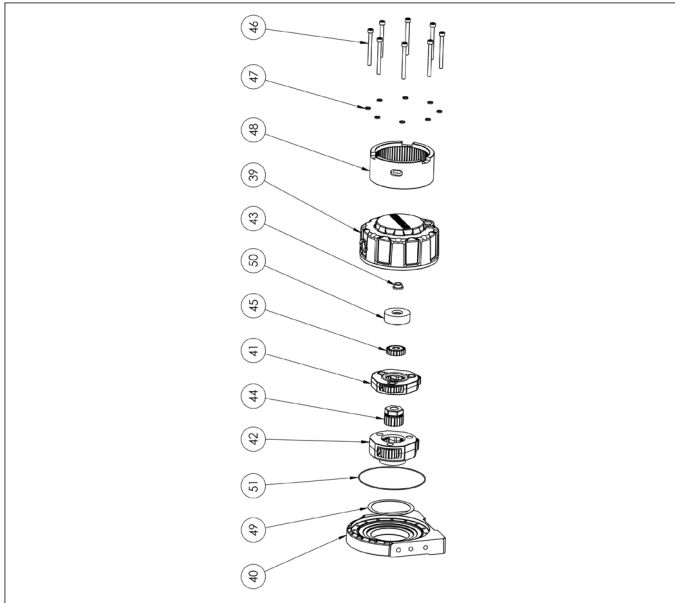
SI HYDRAULIC SERVICE PARTS

CONTENTS	DESCRIPTION	PART NUMBER					
		SI HYDRAULIC 8000 NARROW DRUM	SI HYDRAULIC 8000 STANDARD DRUM	SI HYDRAULIC 10000 NARROW DRUM	SI HYDRAULIC 10000 STANDARD DRUM	SI HYDRAULIC 12000 STANDARD DRUM	SI HYDRAULIC 15000 STANDARD DRUM
33, 51, 52, 53, 54, 61	Brake Repair Kit	S106105	S106105	S106105	S106105	S106105	S106105
1, 10, 17, 20, 22, 27, 33, 34, 35, 38, 43, 49, 51, 59, 66, 75	Small Parts Kit	S106058	S106058	S106058	S106058	S106058	S106058
9, 13, 20, 32	Motor Assembly	S106100	S106100	S106102	S106102	S106104	S106104
22, 23, 24, 25, 26, 27, 28	Clutch Actuator Assembly (Manual)	S100264	S100264	S100264	S100264	S100264	S100264
7, 9, 20, 30, 31, 32	Super Block (Control Block)	S106103	S106103	S106103	S106103	S106103	S106103
Not Shown	Clutch Actuator Assembly (Air)	S100512	S100512	S100512	S100512	S100512	S100512
Not Shown	Cable Tensioner	S100501	S100500	S100501	S100500	S100500	S100500
Not Shown	Fairlead, Roller	S100507	S100506	S100507	S100506	S100506	S100506



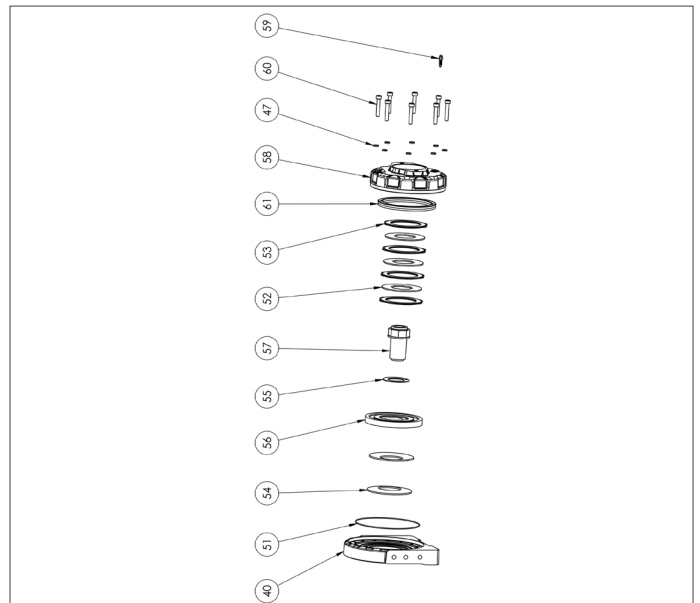
SUPERWINCH® | **SI HYDRAULIC**
SI HYDRAULIC 8/10/12
GEARBOX/DRUM SUPPORT ASSEMBLY

ITEM NO.	PART NUMBER	DESCRIPTION	QTY.
39	S100556	MACHINING, SMALL INDUSTRIAL GEARBOX	1
40	S100554	DRUM SUPPORT, SMALL INDUSTRIAL, MACHINED	1
41	S102542	ASSY 2ND STAGE PLANETARY 4 TO 1 SI SMALL	1
42	S102536	ASSY 3RD STAGE PLANETARY 4 TO 1 SI SMALL	1
43	S102557	BUSHING - SM IND DRIVELINE SUPPORT	1
44	S102218	GEAR, SUN 21 TOOTH 3RD STAGE SI SMALL FR	1
45	S100633	GEAR, SUN 21 TOOTH SI SMALL 2ND STAGE	1
46	S100726	SHCS, M8 X 1.25 X 85MM LG	8
47	S101448	LOCK WASHER - M8 HIGH COLLAR	8
48	S100749	GEAR, RING SI SMALL FRAME 63 TOOTH	1
49	S100771	THRUST BEARING 3RD STAGE	1
50	S102842	SPACER - SECOND STAGE PLANETARY	1
51	S100620	SEAL, O-RING 159X2	1



SUPERWINCH® | **SI HYDRAULIC**
SI HYDRAULIC 8/10/12/15
BRAKE/DRUM SUPPORT ASSEMBLY

ITEM NO.	PART NUMBER	DESCRIPTION	QTY.
52	S100813	BRAKE ROTATING DISC	3
53	S100814	BRAKE DISK FIXED	4
54	S100821	DISK SPRING 112mm OD X 57mm ID	2
55	S100824	THRUST WASHER 66mm OD X 42mm ID	1
56	S100922	PRESSURE PLATE, 144 MM DIA, MACHINING	1
57	S100926	ASSY BRAKE DRIVE SLEEVE	1
40	S100554	DRUM SUPPORT, SMALL INDUSTRIAL, MACHINED	1
58	S100558	MOTOR MOUNTING PLATE, MACHINED	1
59	S100825	M7 BLEEDER NIPPLE	1
60	S100746	SHCS, M8 X 1.25 X 45MM LG	8
61	S100818	U-SEAL 145mm OD X 125mm ID	1
47	S101448	LOCK WASHER - M8 HIGH COLLAR	8
51	S100620	SEAL, O-RING 159X2	1



SUPERWINCH® | **SI HYDRAULIC**
SI HYDRAULIC 15 GEARBOX/DRUM
SUPPORT ASSEMBLY

ITEM NO.	PART NUMBER	DESCRIPTION	QTY.
62	S102773	MACHINING, MID-FRAME INDUSTRIAL GEARBOX	1
63	S102771	DRUM SUPPORT, MID-FRAME INDUSTRIAL, MACH	1
64	S103685	ASSY - SI MD 2ND STAGE PLANETARY 5.8:1	1
65	S103714	ASSY - SI MD 3RD STAGE PLANETARY 4.14:1	1
43	S102557	BUSHING - SM IND DRIVELINE SUPPORT	1
66	S103800	SEAL, O-RING 174X2	2
67	S103697	SUN GEAR - 21T SI MD 3RD STAGE HYD	1
68	S103696	SUN GEAR - 12T SI MD 1ST STAGE	1
69	S103802	SHCS, M8 X 1.25 X 90MM LG	8
47	S101448	LOCK WASHER - M8 HIGH COLLAR	20
70	S103750	RING GEAR - SI MD 2ND STAGE 72T	1
71	S102883	RING GEAR - SI MD 3RD STAGE 66T	1
72	S105465	THRUST BEARING 3RD STAGE	1
73	S103745	SPACER - SI MD PLANETARY	1
74	S103475	SHCS, M8 X 1.25 X 35MM LG	12
75	S103923	CLUTCH RING RETAINER	1
47	S101448	LOCK WASHER - M8 HIGH COLLAR	8
51	S100620	SEAL, O-RING 159X2	1

