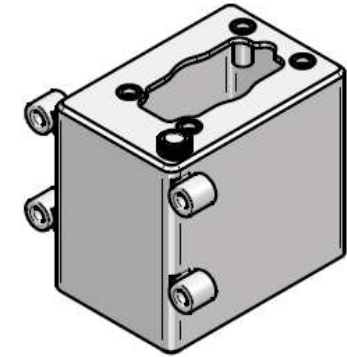
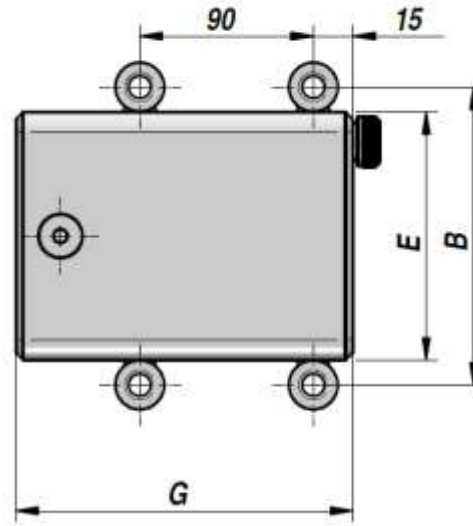
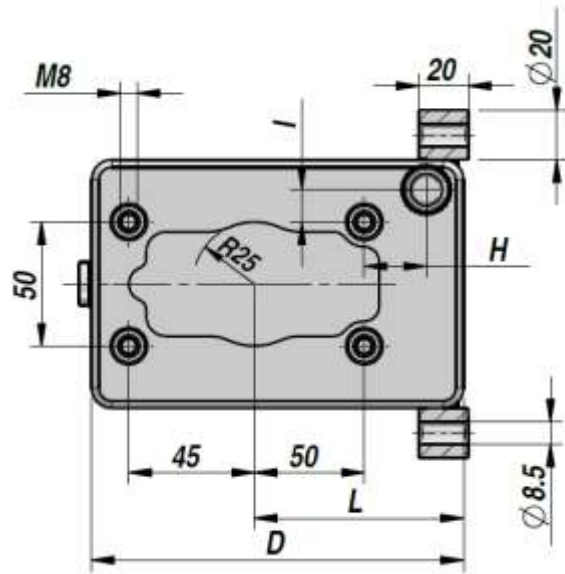
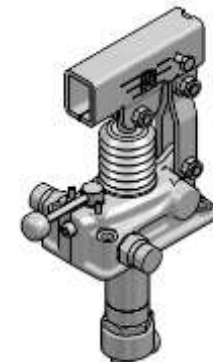
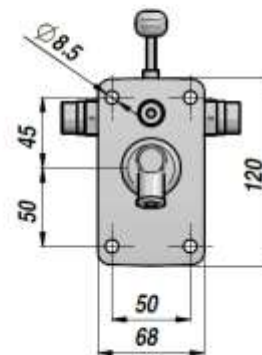
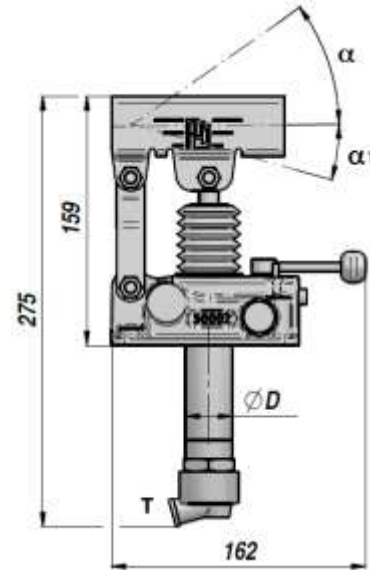
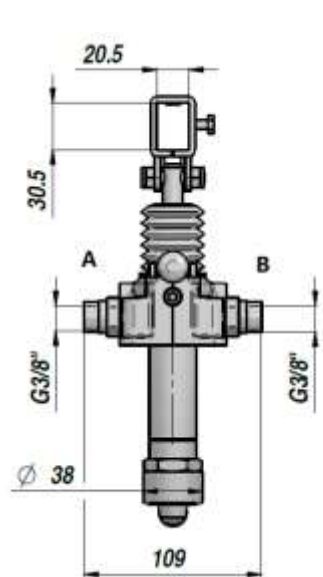


833006 + 833106 Hydraulische Handpumpe/Hydraulic hand pump



Capacity	B	D	E	G	H	I	L	kg
5 L	195 mm	175 mm	175 mm	20 mm	42 mm	45 mm	110 mm	4,50



cm ³ /cycle	ØD	α	α1	Working temperature	kg
25	35 mm	57°	15°	-20 °C +80 °C	3,12